

The image shows a kitchen with a white sink, a wooden countertop, and a white tiled backsplash. A window above the sink shows a view of greenery. Three jars of nuts are on the counter. A black under-counter cooler is installed under the counter, containing several bottles of beer and wine. The Swan logo is overlaid in the top left corner.

Swan
designed for life

Under Counter Cooler

Installation and User Guide

For model: **SGF85**

Swan Service Help line

011 455 0300



Table of Contents

3. Your Cooler

4-5. Important Safeguards

6-7. Installation Notes

7-8. First Time Use

8. Reversing the door

9. Cleaning & Maintenance

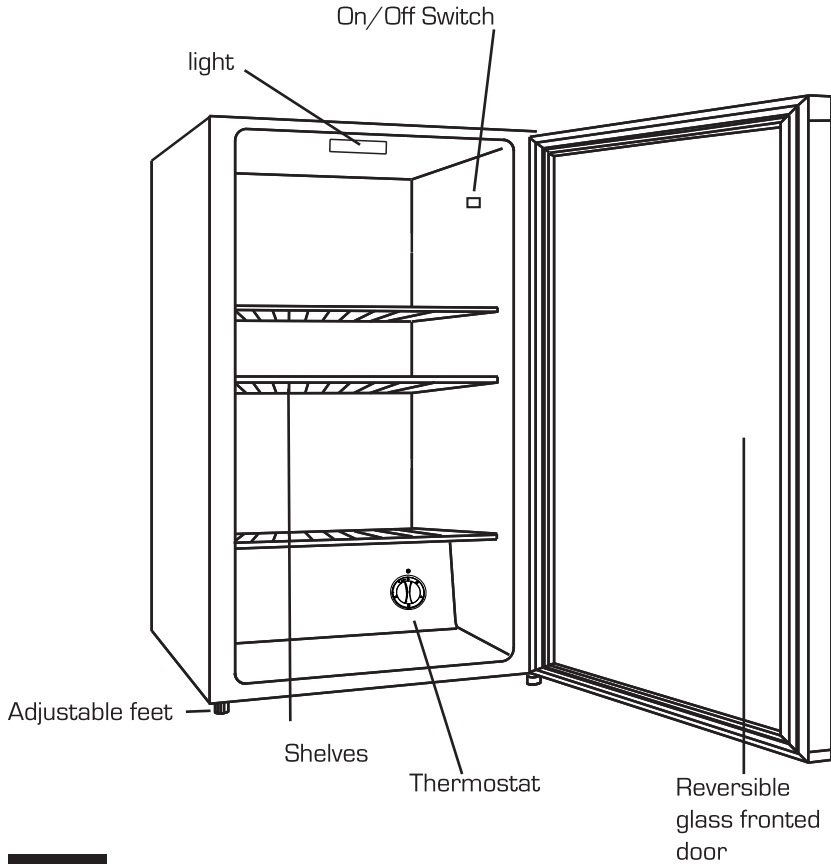
10. Troubleshooting

10. Service & Spares, Specification

11. WEEE Directive, Warranty



Your Cooler



Specifications

- Volume: 85 Litres
- Energy A
- Weight: 24kg
- Refrigerant: R600a (20g)
- Dimensions: 435x474x840mm
- Power consumption: 0.6A
- Voltage: 220-240V ~ 50/60Hz
- Climate type: N
- Net weight: 24kg



Important Safeguards

- Do not connect your appliance to the electricity supply until all packing and transit protectors have been removed.
 - Leave to stand upright for at least 4 hours before switching on to allow compressor oil to settle
 - This product must only be used for its intended purpose i.e the storing and freezing of edible foodstuff.
 - Do not dispose of the appliance on a fire. Your appliance contains non CFC/HFC natural substances in the cooling system and in the insulation, which are potentially flammable if exposed to fire. Therefore, take care not to damage, the cooling circuit or pipes of the appliance in transportation and in use. In case of damage do not expose the appliance to fire or potential ignition source and immediately ventilate the room where the appliance is situated.
 - See installation section for information on suitable location.
 - On delivery, check to make sure that the product is not damaged and that all the parts and accessories are in perfect condition.
 - Ensure that the plug remains readily accessible. Do not use multiple adaptor or extension cables.
 - Failure to observe these instructions may invalidate your right to free service during the guarantee period.
 - Keep ventilation openings, in the appliance enclosure or in the built-in structure, clear of obstruction.
- WARNING:** Keep ventilation openings, in the appliance enclosure or in the built-in structure, clear of obstruction. Do not use mechanical devices or other means to accelerate the defrosting process, other than those recommended by the manufacturer.
- GAS WARNING CAUTION RISK OF FIRE:** Due to the flammable refrigerant (R600a) and/or the flammable insulation blowing gas used, this gas is natural gas with high environmental compatibility



Important Safeguards

that is, however, also combustible. When transporting and installing the appliance, care should be taken to ensure that no parts of the refrigerating circuit are damaged.

Refrigerant and/or insulation blowing gas squirting/leaking out of the pipes or body of appliance could ignite or cause an eye injury. If leak is detected, avoid any naked flames or potential sources of ignition and air the room in which the appliance is standing for several minutes. Servicing and repair of R600a refrigerant shall be done by qualified service technicians. Do not damage the refrigerant circuit.

WARNING: Do not use electrical appliances inside the food storage compartments of the appliance, unless they are of the type recommended by the manufacturer.

- We suggest you keep these instructions in a safe place for easy reference.
- This appliance can be used by children aged from 8 years and above if they have

been given supervision or instruction concerning use of the appliance in a safe way and if they understand the hazards involved. Cleaning and user maintenance shall not be made by children unless they are older than 8 and supervised. Keep the appliance and its cord out of reach of children aged less than 8 years.

- If the supply cord is damaged, it must be replaced by the manufacturer, its service agent or similarly qualified persons in order to avoid a hazard.

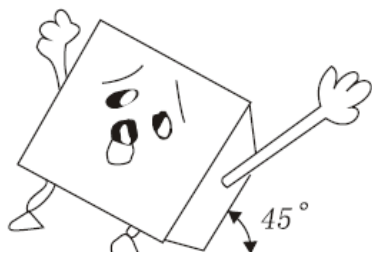
CAUTION: In order to avoid a hazard due to inadvertent resetting of the thermal cutout, this appliance must not be supplied through an external switching device, such as a timer, or connected to a circuit that is regularly switched on and off by the utility company

This appliance should only be connected to an earthed, switched mains socket. Do not use an extension cord with this appliance

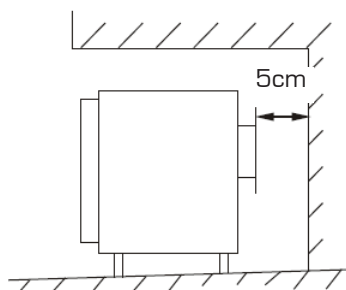
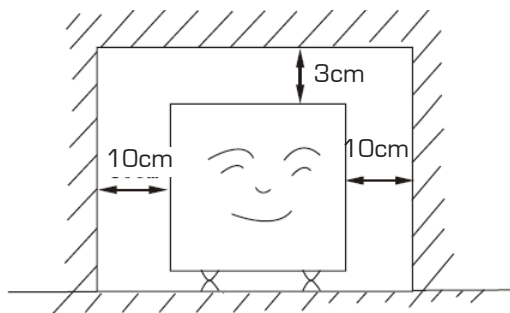


Installation Notes

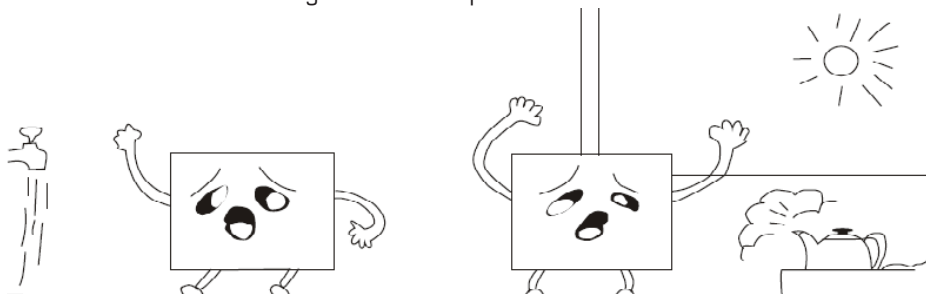
It is important that upon receipt you stand your appliance upright for at least 1 hour before switching on to allow the system to settle.



1. The appliance should not be tilted more than 45 degrees when you move it. Do not use force on any part such as the condenser, the door or handle. They could distort and affect the operation of the cooler. Ensure ALL packaging is removed before installation



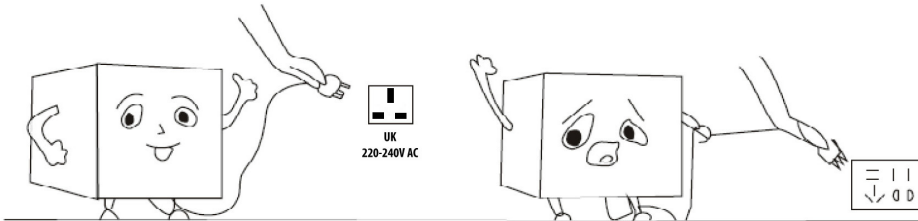
2. Make sure there is enough ventilation space around cooler



3. The appliance should not be installed near external heat sources eg direct sunshine - or external moisture sources.



Installation Notes



4. Ensure the supply voltage of socket is same as rating label.
5. The plug must be properly inserted to the wall socket.
6. **The mains supply socket must be earthed - preferably with a switch. If it is not earthed, do NOT install this appliance there. Do not use an extension cord**
7. The product is equipped with adjustable feet. Once the product is in place, adjust these to ensure the cooler is level and doesn't rock.

DO NOT SITE THE PRODUCT WHERE THE AMBIENT TEMPERATURE IS LIKELY TO DROP BELOW 5 DEGREES CENTIGRADE - EG: GARAGE OR SHED



First Time Use

1. It is important that upon receipt you stand your appliance upright for at least 1 hour before switching on to allow the system to settle. Remove all packaging & any transit tapes
2. Clean the inside of the cabinet with a soft, dry cloth prior to switching on
3. When using the product for the first time, set the thermostat inside to MAX without any bottles inside. When the appliance starts, you will hear the quiet hum of the compressor. You may also hear the circulation of liquids and gases in the refrigeration system. This is normal on first start up. Generally it will take up to 1 hour for the appliance to reach temperature. Once temperature has been reached then put the drinks inside.
4. The temperature of the cooler can be adjusted by rotating the disc of the thermostat. The higher the value on the setting of the thermostat, the maximum value of refrigeration (coldest being 5). Typically a medium setting of 3 is best for most circumstances. Temperature range in the cooler is typically 5 - 12 C depending on thermostat setting.
5. Do not put too much foodstuff in the cooler. Avoid opening the door too frequently as this will waste energy.



Reversing the door

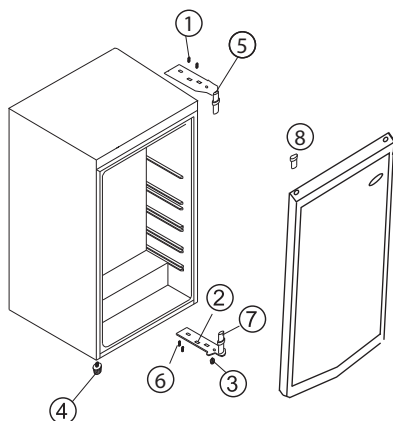


FIGURE 1

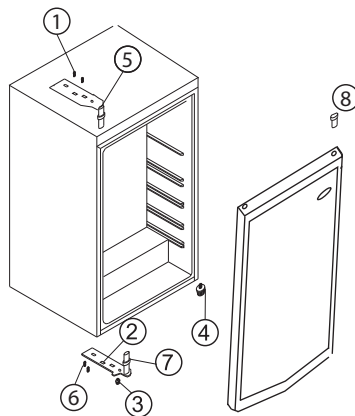


FIGURE 2

This cooler has the capability of either opening the door from the left or right side. The unit is delivered to you with the door opening from the left side. Should you desire to reverse the opening direction, please follow these instructions.

NOTE: All parts removed must be saved should you wish to restore the door to original orientation.

1. Remove the two screws (1) that hold the upper hinge (5) (right side) to the frame. Take away the upper hinge (5).
2. Lift the door and place it on a padded surface to prevent scratching it. (8)
3. Remove the two screws (6) that hold the lower hinge (2) and make sure to remove the lower hinge (2).
4. Remove the left front leg (4) and transfer it to the right side.
5. Before placing this lower hinge (2), remove the bolt-pin (5) and reverse the direction of the lower hinge (2). Then install the lower hinge (2) onto the left side of the lower frame with two screws (6).
6. Insert the bolt-pin (5) to the lower hinge (2).
7. Set the door to its place making sure the door seats at the lower hinge (2).
8. While holding the door in the closed position, secure the upper hinge (5) in the top frame of the left side with two screws (1). Please note: do not tighten the two screws (1) until the top of the door is leveled with the counter top.



Cleaning & Maintenance

DAILY CLEANING

The outside of your cooler can be cleaned using a soft cloth moistened with a mild detergent solution. Wipe dry with kitchen towel.

Do not use chemical or abrasive cleaners on any part of your cooler as these could permanently damage or discolour the surfaces.

DOOR SEALS

Ensure that the door seals are kept free from debris at all times. If they don't seal properly this can waste energy.

CLEANING INSIDE

From time to time it may be necessary to clean the inside of the cooler (eg after a spill)

1. Switch off the cooler and remove plug from wall socket
2. Remove drinks and shelves
3. Clean the inside with a soft cloth moistened with a mild detergent solution. Dry thoroughly with kitchen towel before replacing the shelves, drinks and switching the unit back on.
4. Do not use abrasive or chemical cleaners on any part of the cooler at any time.

CONDENSATION

Depending on the environment, you may notice a little condensation on the outside of the glass door. This is normal and can be wiped away with a dry cloth or piece of kitchen towel.



The wires in the mains lead are coloured in accordance with the following code:

BLUE	NEUTRAL
BROWN	LIVE
GREEN/YELLOW	EARTH

As the colours of the wire in the mains lead of this appliance may not correspond with the colour markings identifying the terminals on your plug, proceed as follows:

The wire which is coloured BLUE must be connected to the terminal which is marked with the letter N or coloured black. The wire which is coloured BROWN must be connected to the terminal which is marked with the letter L or coloured red. The wire which is coloured GREEN/YELLOW must be connected to the terminal which is marked with the letter E or (earth symbol) and is coloured GREEN or GREEN/YELLOW.

WARNING: THIS APPLIANCE MUST BE EARTHED



Troubleshooting

1. If the cooler does not run:

Check the supply voltage is available at the socket and check that the power plug is correctly connected. Check that the power switch near the thermostat/light unit is switched ON.

2. If the cooler does not become cold enough:

- a. is the thermostat is set properly?
- b. is there enough space around the cooler?
- c. is the door opened too frequently or not closed properly? (check seals).
- d. is there direct sun shine on the appliance or are there heat sources nearby?
- e. is there too much foodstuff inside the compartment? (Do not put hot liquids in the cooler)
- f. is there dust and debris built up on cooling matrix or compressor?

3. If the cooler operates noisily:

- a. Check that the appliance is installed on a stable, level floor. Adjust the feet if necessary. Is the cooler is too near the wall?
- b. the food stored in the cooler is not touching - particularly applies to glass containers. The cooler creates very slight vibrations, which can be amplified greatly with touching glass containers!

Note:

During high relative humidity environment, condensation may occur on the surface of the cooler. This is not a malfunction. Simply clean the surface of condensation.

If the cooler is not working properly after all these checks, contact the service centre without further delay.



Service and Spares

If you experience any problems at all with your product or require spare parts, expert help is just a phone call away!

011 455 0300



WEEE Directive



Disposal of Unit

Disposal instructions for Swan items in accordance with the WEEE directive. Appliances bearing the symbol shown here may not be disposed of in domestic rubbish. You are required to dispose of old electrical and electronic appliances like this separately. Please visit www.recyclenow.co.uk, or www.recyclenow.co.uk for access to information about the recycling of electrical items. The WEEE directive, introduced in August 2006, states that all electrical items must be recycled, rather than taken to landfill. Please arrange to take this appliance to your local Civic Amenity site for recycling, once it has reached the end of its life.



Warranty

WARRANTY:

Swan Appliances warrants this product is of good quality, in good working order and free of any defects in material and workmanship and will be useable and durable for a period of 24 (twenty four) months from the date of purchase and complies with any applicable standards set under the Standards Act 1993 (Act No 29 of 1993).

TERMS AND CONDITIONS OF THE WARRANTY:

1. This warranty is only to be used by the original purchaser of the product and cannot be ceded, assigned, transferred or handed to any other person.
2. Swan Appliances' in its sole discretion can either repair or replace the defective appliance.
3. Should the defective appliance be situated further than 50 km from the nearest Swan Service Centre or authorized dealer, then Swan Appliances shall be entitled to charge the consumer a travelling charge for any distance further than 50km.
4. The appliances has been designed and manufactured for normal domestic use only and the warranty will not be valid if it was not used for domestic purposes only.

LIMITATION OF WARRANTY:

1. Swan Appliances has no liability or responsibility in respect of any second hand goods;
2. Swan Appliances has no liability to any subsequent purchasers ;
3. Swan Appliances has no liability if the appliance is defective due to any damage, loss due to the gross negligence of the consumer or due to the faulty installation, accidental damages, incorrect usage, misuse or abuse or failure to follow the operational instruction by the Consumer;
4. Swan Appliances has no liability of the appliance is damaged or destroyed as a result of any Acts of God;
5. Swan Appliances has no liability and this warrant is not valid if the appliance is dismantled or any repairs was done to the appliance or any other parts were inserted;
6. Swan Appliances has no liability if the serial number of the appliances has been removed;
7. Swan Appliances has no liability and will not be responsible to replace any light bulbs, fuses, glass plates or bowls, remote controls, bags, burners or any other item which Swan Appliance in its sole discretion determines that the life of such item depends on the amount of use and care taken in respect of such item;
8. Swan Appliances has no liability of any nature and will also not be responsible for any costs, should no fault have been found regarding the appliance.

Go to www.swan-brand.co.za to register your warranty or to see what other exciting products are available.

You can scan the below QR barcode to go directly to the website on your smartphone.



www.swan-brand.co.za



Scan this QR code
to hear about
our story



We love
what we do



we're proud
of our quality



Find us on Facebook